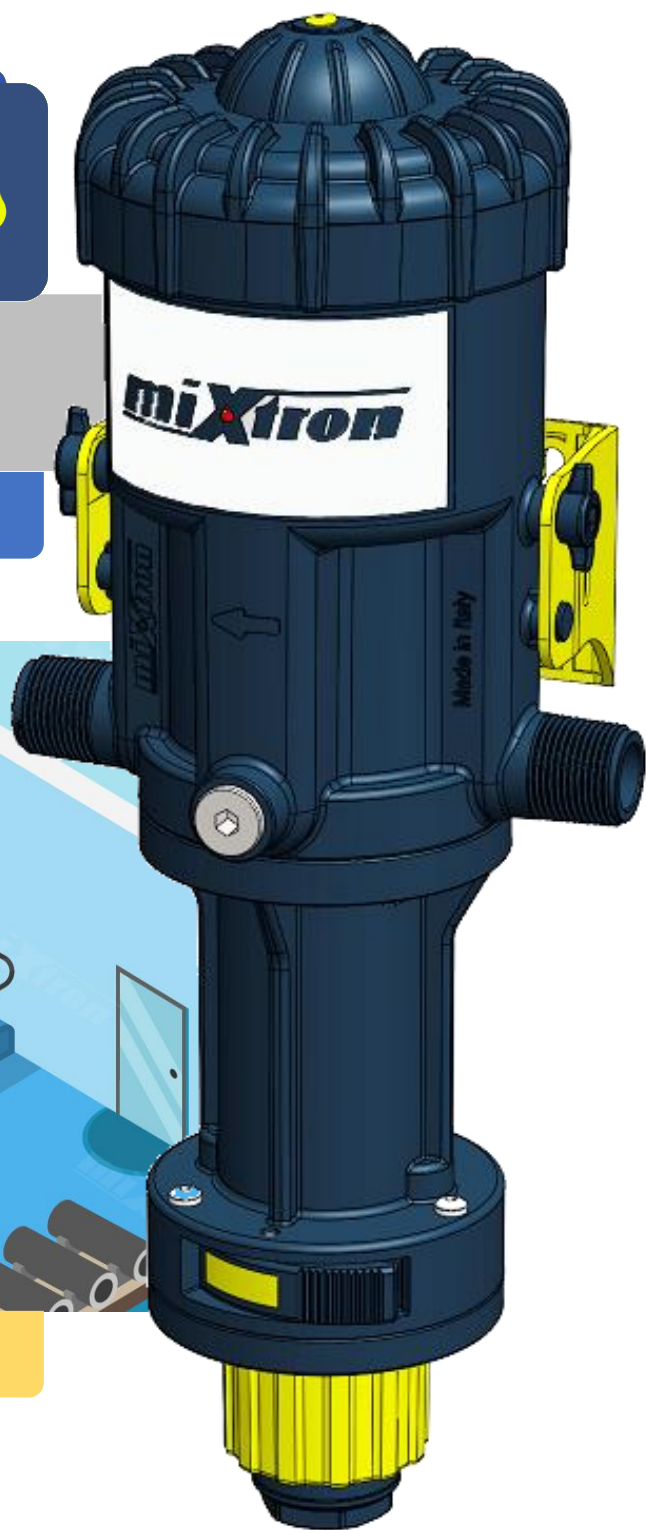


MIXTRON VOLUMETRIC
WATER POWERED DOSING PUMP



MXO 1.075 – MXO1.150 – MXO1.250

METALWORKING



miXtron

SMALL DROPS FOR A BETTER WORLD

 **PENNINE**
LUBRICANTS

To assist with maximum performance in all mechanical machining, such as tool life and sump life, calibrated lubrication and cooling in all phases is essential.

The use of our doser, connected correctly to the mains water supply to prepare the water soluble concentrate, is the perfect method to guarantee an accurate, constant and correctly mixed metalworking fluid to obtain maximum quality.

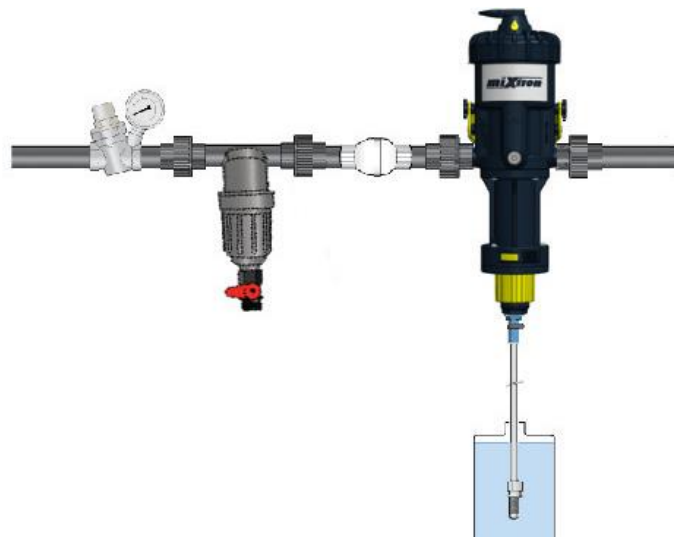
Mixtron's proportional dosing pumps are able to dose treatments such as:

- ❖ Water Soluble Metalworking Fluids
- ❖ Mineral Oil Containing Emulsions
- ❖ Semi Synthetic Emulsions
- ❖ Mineral Oil Free Synthetic Solutions

FEATURES

- ❖ Precise dosage of oil and water
- ❖ Thermometers on the motor's body to control the operating temperature
- ❖ Dosing ratio can be easily adjusted
- ❖ Simple maintenance
- ❖ All components are made of highest quality materials available (stainless components, high performing plastics and Viton seals)

MODEL	FLOW RATE
MXO.075	0,05 - 0,75 m ³ /h 5 - 750 l/h
MXO.150	0,05 - 1,50 m ³ /h 5 - 1500 l/h
MXO.250	0,1 - 2,50 m ³ /h 10 - 2500 l/h
MXO.300	0,1 - 3,00 m ³ /h 10 - 3000 l/h



DOSING RANGE

0,03 - 0,2 %	0,2 - 2%	0,5 - 4%	1 - 5%	1 - 10%
1:3000 - 1:500	1:500 - 1:50	1:200 - 1:25	1:100 - 1:20	1:100 - 1:10

For further information:

Mixtron srl - Via Curiel, 7 - 42025 Cavriago (RE) , Italy - T: +39 0522 944330

www.mixtron.it - sales@mixtron.it